

Installation instructions for PZ4AL-02374-00, PZ4AL-02375-00 Under Run Protective Shield Engine Bay and Transmission Case

TOYOTA RAV4



Model Year

RAV4 - 2012 - 2015 -

Applicability:

ZSA44L-ANFXK; ZSA44L-ANXXK
ZSA44L-ANXGK; ZSA44L-ANYXKX
ZSA44L-ANYMKX; ALA49L-ANTGXX
ASA44L-ANTGKX; ASA44L-ANTMKX
ALA49L-ANTMXX; ZSA42L-ANYXKX
ZSA44L-ANFMKX; ZSA42L-ANYMKX
ZSA42L-ANFXKX; ALA49L-ANTGYW

Part Number

Steel: PZ4AL-02374-00
Aluminium: PZ4AL-02375-00



Weight

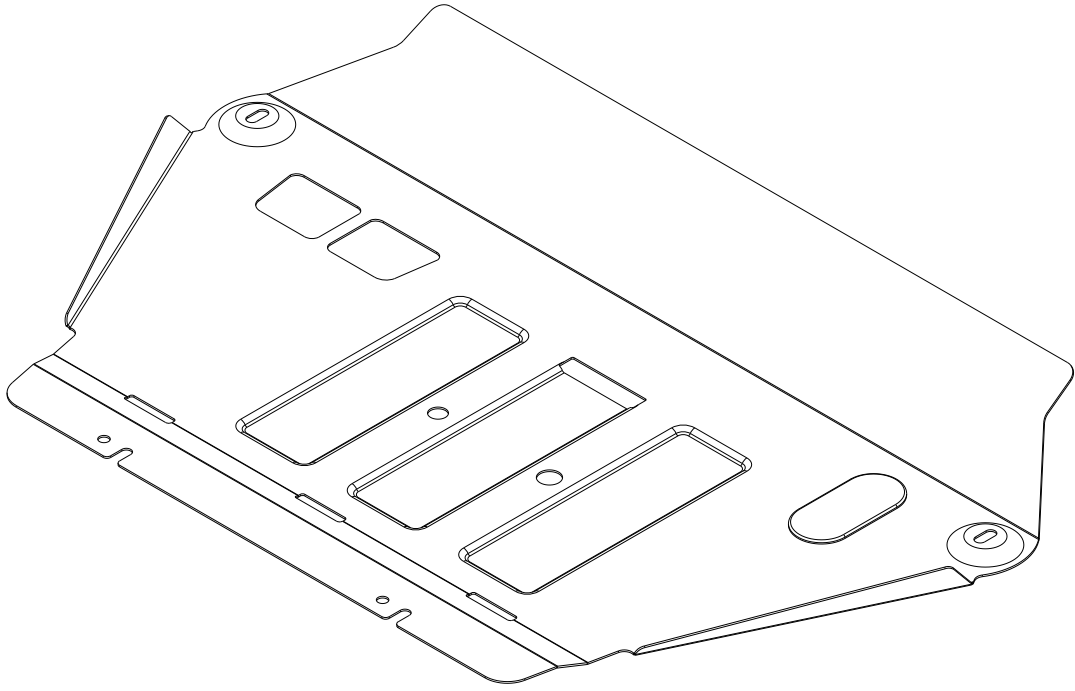
Steel: 10,83 kg
Aluminium: 9,47 kg



Installation Time

15-30 min

A



PZ4AL-02372-60

B1



x2 M10x20

B2



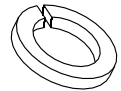
x2 M10x100

C1



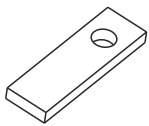
x4 Ø 10

C2



x4 Ø 10G

D



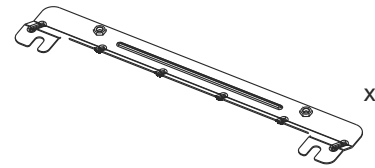
x2

E

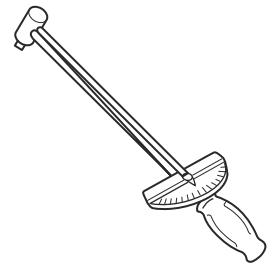
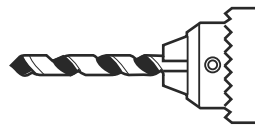
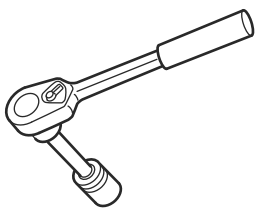


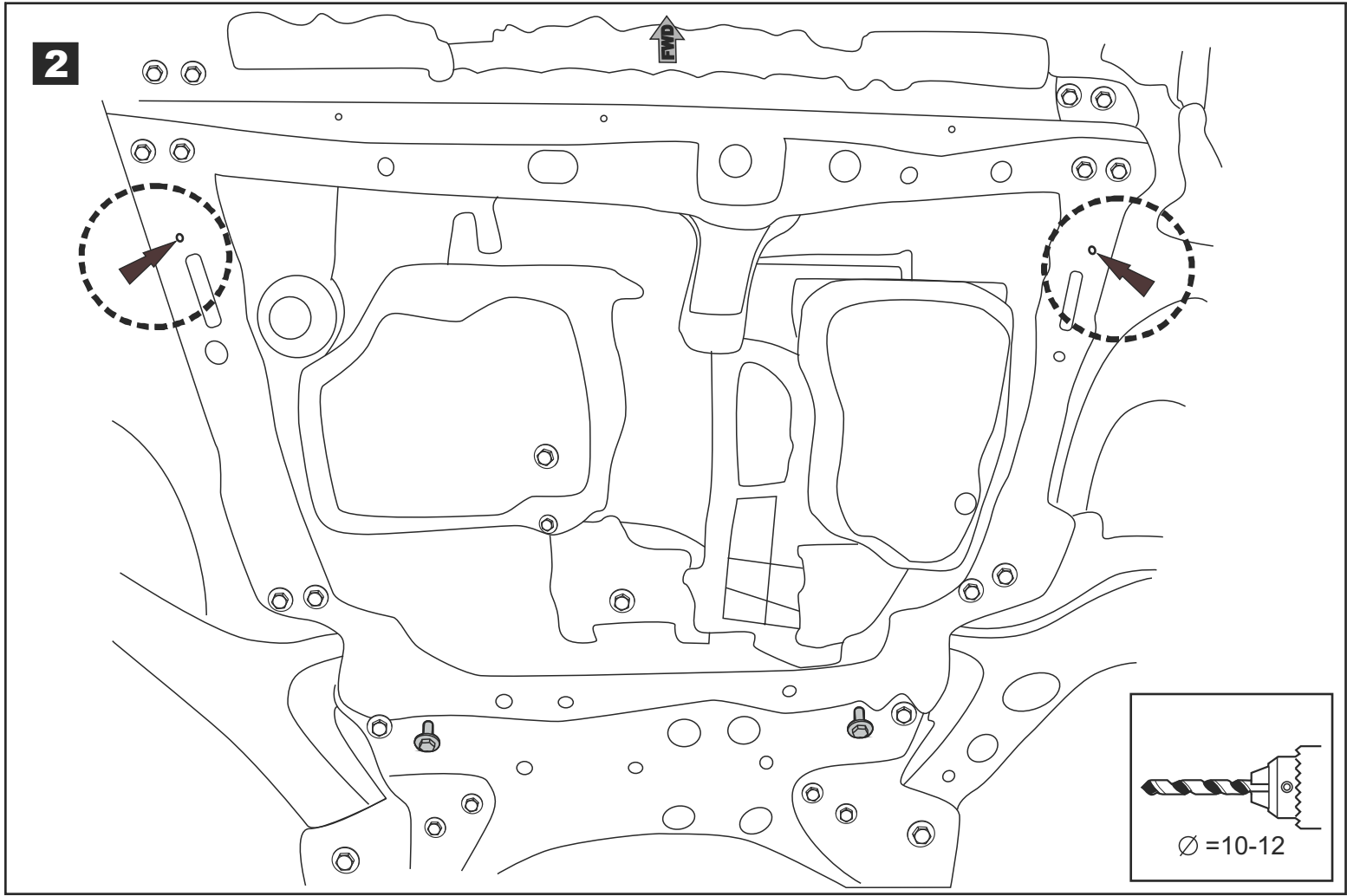
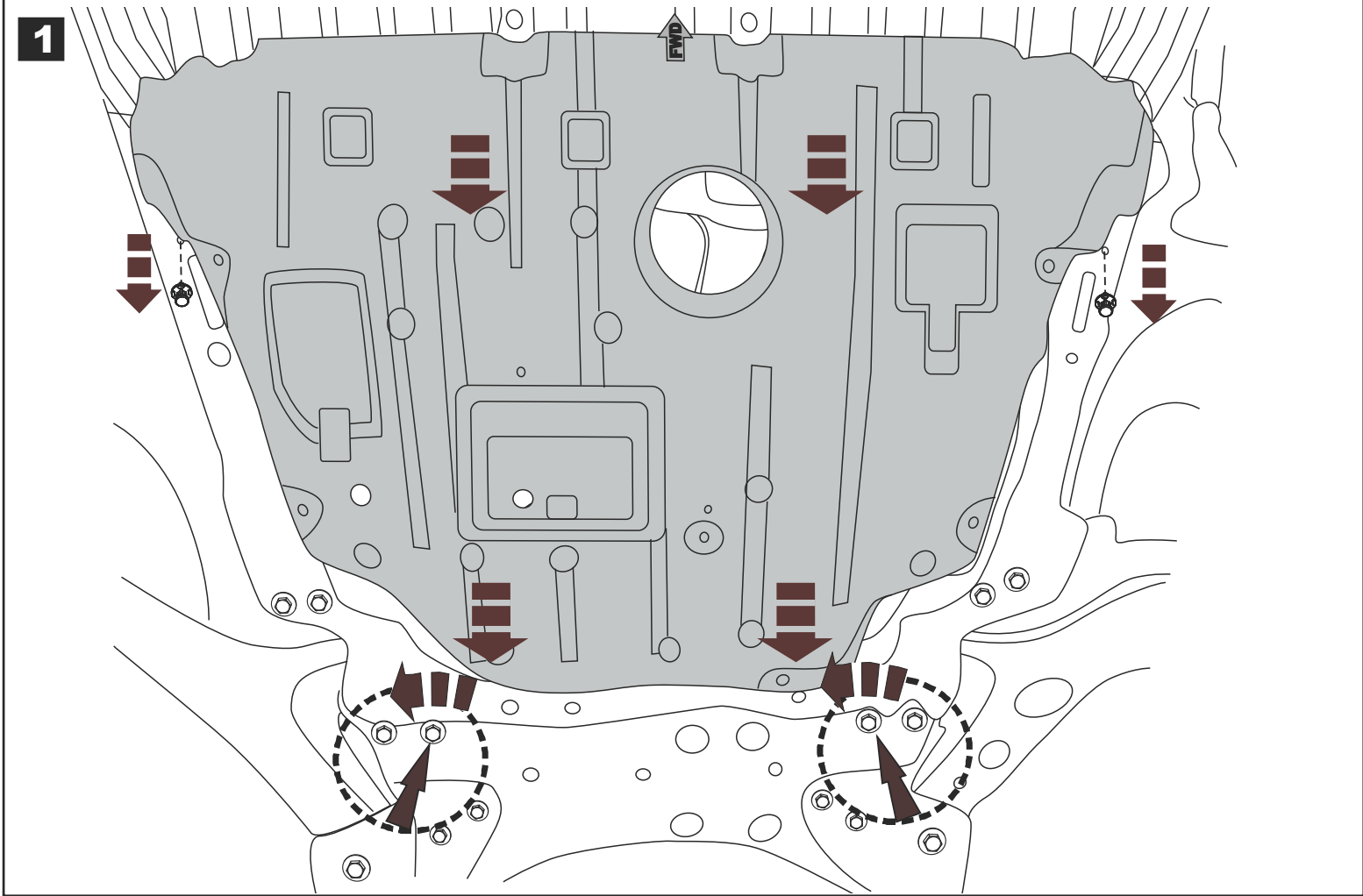
x2

F

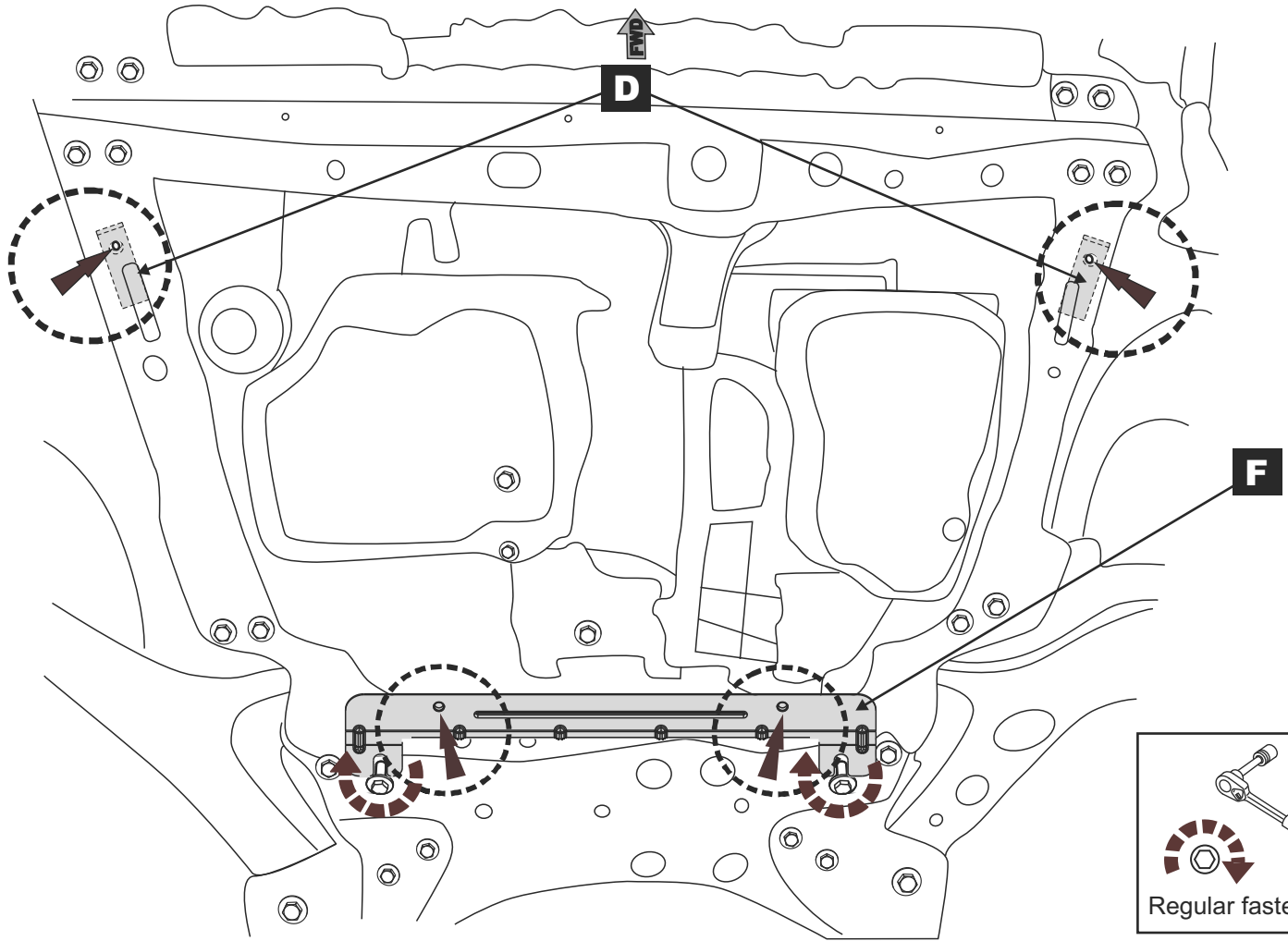


x1

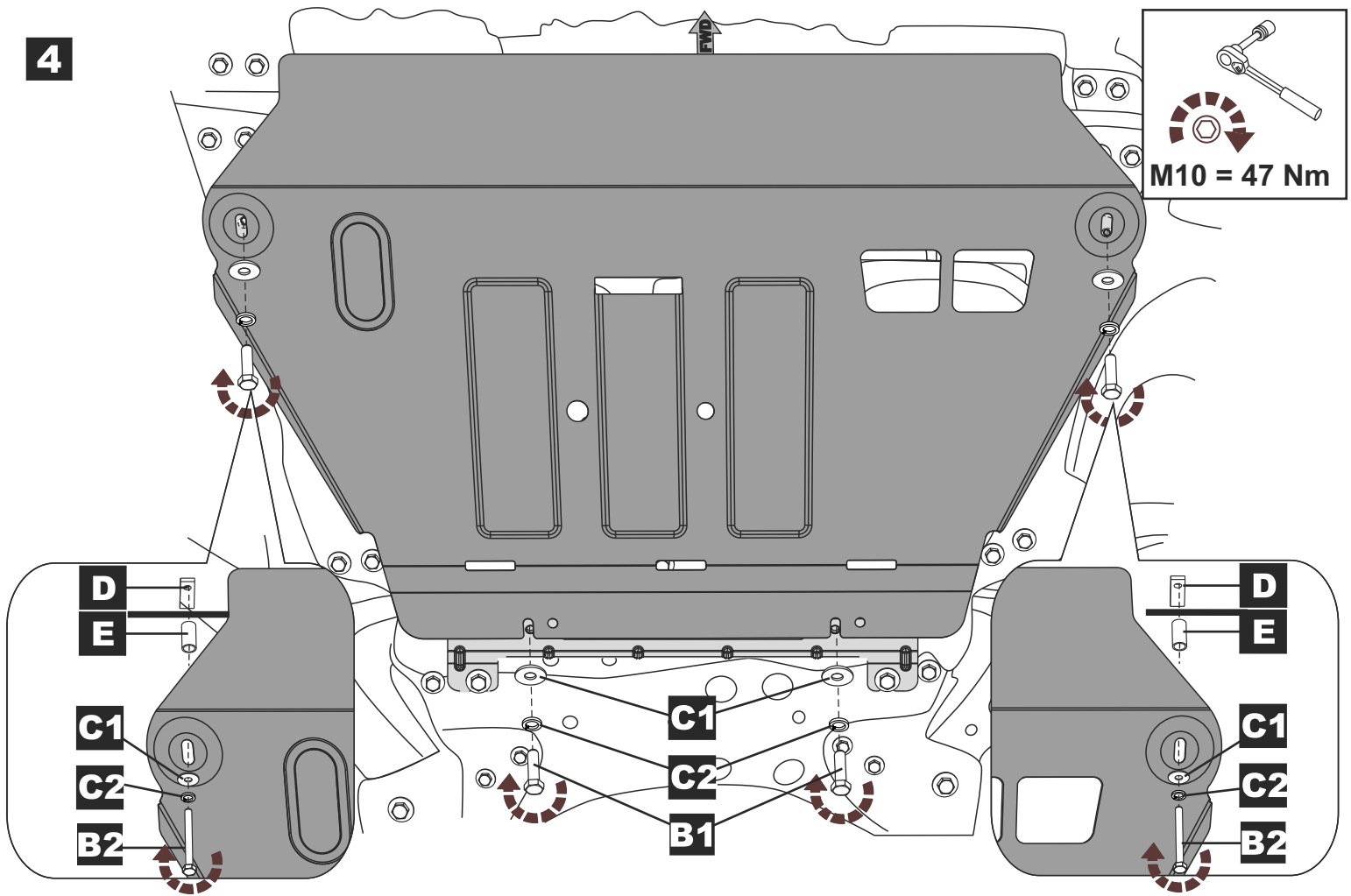




3



4



5

